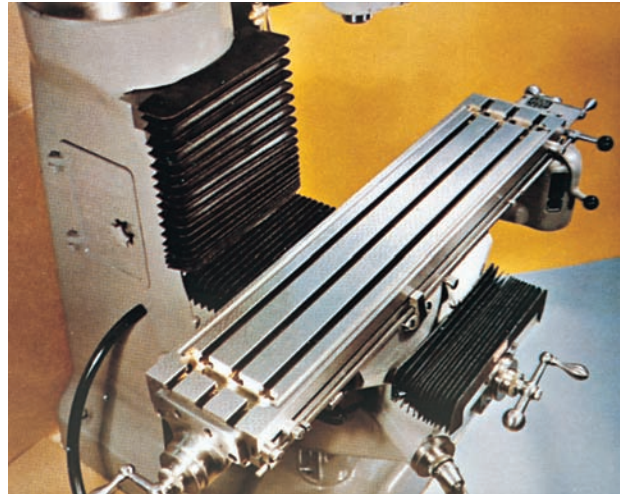


Stock Way Protector Kits

For Bridgeport Milling Machines



Protect your Bridgeport milling machine with Gortite® stock way protectors

- Completely encloses ways
- Complete with all mounting hardware
- Easy to install – mounting instructions included
- Fits all standard Bridgeports, including those with optical or measuring attachments

Why allow damaging chips and abrasive particles to fall on the ways of your Bridgeport and then wipe them off? Now you can keep it clean from the start, while maintaining accuracy and increasing the life of your machine. Gortite way protectors are bellows-type covers made of .033" thick hypalon-coated fabric. Since they are specifically engineered to fully protect the ways, they not only provide protection from falling objects, but completely enclose the ways to keep out any foreign materials.

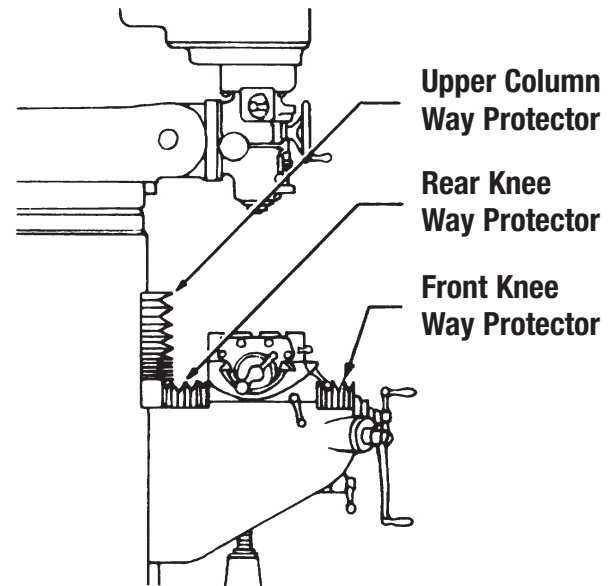
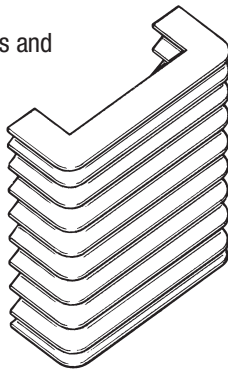
In most cases, existing screws are used to mount the protectors. All brackets and mounting bolts are furnished. The protectors have been designed with a new "slip-on" method of fastening the ends, which allows quick mounting and removal.

- **Kit for Machine with Standard & Long Knee**

Includes protectors for front and rear knee ways and upper column way, all necessary brackets and mounting plates, bushings, bolts and screws. Kit fits 9" and 12" travel machines.

- **Kit for Series II**

Includes three covers and all mounting hardware.



How to Order Stock Way Protector Kits

Date: _____ For Quotation Only: _____ Address: _____

Order Number: _____

Company Name: _____ City: _____ State/Prov. _____

Contact: _____ Country: _____ Zip/Postal Code: _____

Quantity of kits needed: _____ Telephone: _____ Fax: _____

Kit Type: Kit for Machine with Standard & Long Knee Kit for Series II E-Mail: _____

▼ Please fax or e-mail the completed form to the number/address shown.